

Xero LP/L

Assembly and operating instructions

visplay

play it smart

Visplay products are manufactured according to the latest technology and comply with valid rules and regulations.

Nevertheless, these products can cause injury or damage if:

- the product is improperly installed
- the product is improperly used
- the product is improperly altered or modified
- original accessories are not used
- the safety regulations are not observed.

⚠ WARNING

Each person involved in the planning, installation and/or use of our products must be carefully read and observe these instructions of use.

The following are of course also valid:

- Relevant accident prevention regulations
- Generally recognized safety rules
- National regulations – please consult Visplay if there is a discrepancy with the Assembly manual

Safety instructions

⚠ WARNING

When playing, children often incorrectly assess danger. You must therefore make sure that your store fittings are not used as toys.

Please pay attention to the following points:

- Structural conditions, in particular the design and bearing capacity of walls, ceilings and floors. If bearing capacity for the specified tractive or pressure load cannot be achieved by suitable fastening or stabilising elements, please refrain from installation.
- All the structural components supplied for stabilising structures are to be used in an unrestricted manner and must not be removed.
- The products may only be loaded after all the installation steps have been completed.
- Merchandise supports should be loaded as evenly as possible.
- Avoid loading in fits and starts.
- The maximum weight loads is to be observed. This can be found in the instructions on assembly and use, as well as in our sales documentation.
- Furniture with castors is generally much more unstable than furniture with glides. Tall, heavy structures on castors should thus be avoided.
- The recommendations of your safety officer should also be observed.

General care for chrome, silk and pearl

In clothing retail applications, frequent dragging of clothes hangers along the surface can cause slight abrasion to their hooks. This effect is most pronounced - more so than with front-on horizontal or inclined-pole displays - where garments are hung side-on such that hangers have to be moved more frequently. To prevent garments from becoming soiled, cleaning of the hanging rods is essential.

This abrasion can be considerably reduced by using a

coat hanger cover (scliss, 929-449.02).

No responsibility can be accepted for damage caused by soiling, as the above mentioned abrasion depends on the material of the coathangers in use.

With powder-coated surfaces subject to frequent use, use of special paints is recommended. We will be happy to advise you.

Use and care of merchandise supports with anodised aluminium surfaces

Visplay merchandise supports with anodised aluminium surfaces are hard-wearing. However, the exchange of accessories might cause slight marks on the surface. Accessories with plastic inserts usually cause less wear or none at all.

To remove the marks, we recommend using cleaning agents ranging from pH 5–8 (do not use any detergents with acidic or alkaline reaction). Clean by washing the surfaces using a sponge and water containing a wetting agent. Then remove any loose or greasy dirt. Rubbing off the surfaces with detergent using pure cotton waste or porous cleaning tissue and applying the necessary pressure in rubbing direction will remove the marks.

Aluminium profiles with widths exceeding 200 mm must be subjected to abrasive cleaning using detergents specifically developed for this purpose. The cleaning agents developed for abrasive cleaning contain very finely ground neutral polishing agents and have to be adapted to the oxide layer. Alternatively, cleaning can be carried out using an abrasive fibrous web (e.g. Scotch-Brite, type A, red, fine or very fine) in combination with a non-abrasive detergent.

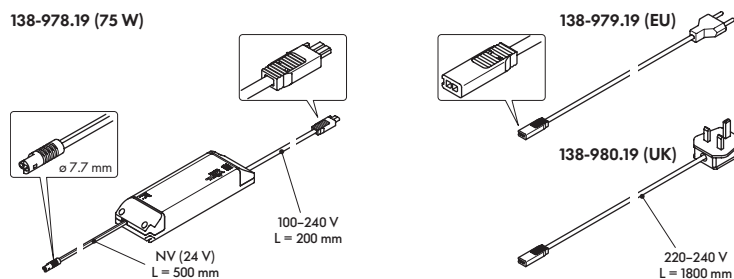
Subsequently, residual cleaning agents should to be rinsed off using a sponge and clear water. Then rub off the part with a chamois.

TECHNICAL DATA SHEET XERO L P/L

Converter 24 V for electrified profile

Converter 75 W with input voltage 100–240 V / mains frequency: 50–60 Hz / electronic protection against overheating and short-circuit.

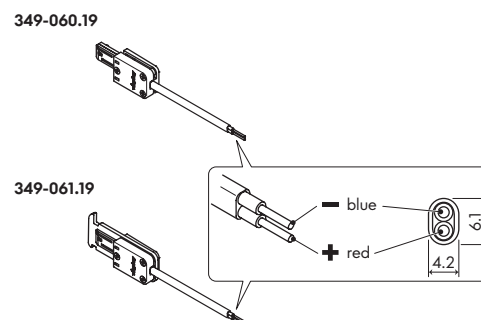
- Mains connection with connector for mains cable
- Nominal voltage = 24 V / SELV
- Safety class 2

**Single power adapter 24 V**

Single power adapters can be used with the Xero L P/L and Xero Twin P/L systems. Low voltage lighting and low voltage appliances may only be connected by trained personnel.

If multiple adapters and appliances are used, their total power consumption may not exceed the specified nominal current or fuse rating. The permissible nominal voltage and nominal current are also limited according to the adapters used (see printed label and safety information).

Permissible nominal current max. 4 A.

**Product safety**

Xero L P/L electrification in detail: conductor rail with power supply, integrated into system support profile.

Correct functioning and safety are guaranteed when properly used. No liability is accepted in event of improper use. Product safety is based exclusively on the use of original Xero L P/L and Xero Twin P/L accessories from Visplay.

No alterations may be made, for safety reasons; the only exception being the shortening of profiles from the right-hand side.

The safety instructions of the assembly instructions must be followed as well as the instructions on the labels of the individual parts.

The indicated nominal current (A) may not be exceeded.

In event of improper use or cleaning with liquids, a risk of electric shock exists due to possibly exposed live parts. Always disconnect from power before cleaning or servicing.

If rails or adapters exhibit visible signs of damage, disconnect them immediately and inform your service technician.

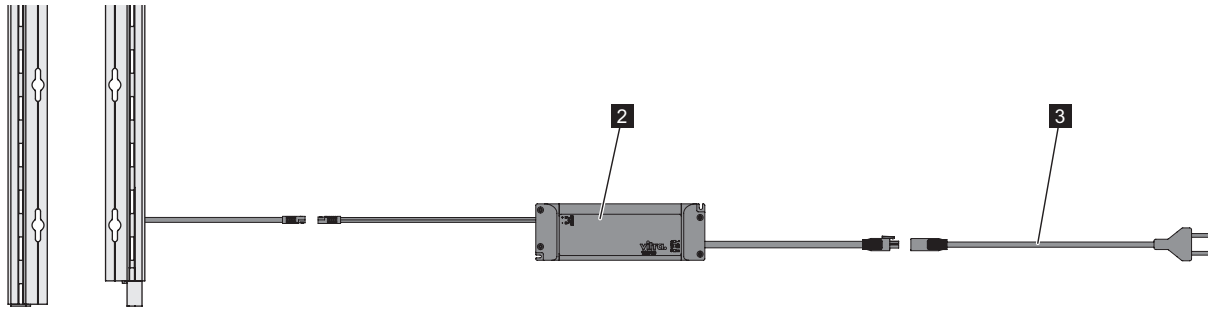
ⓘ Only use Xero L P/L and Xero Twin P/L system accessories! Do not use any other parts.

The user is responsible for ensuring that any connected equipment is electrically, mechanically and thermally compatible with the conductor rail.

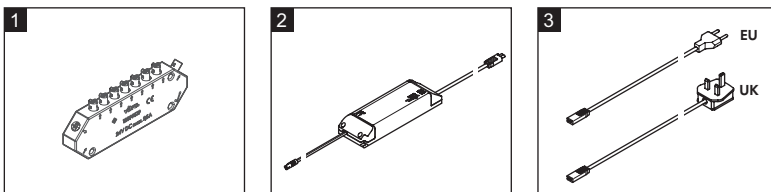
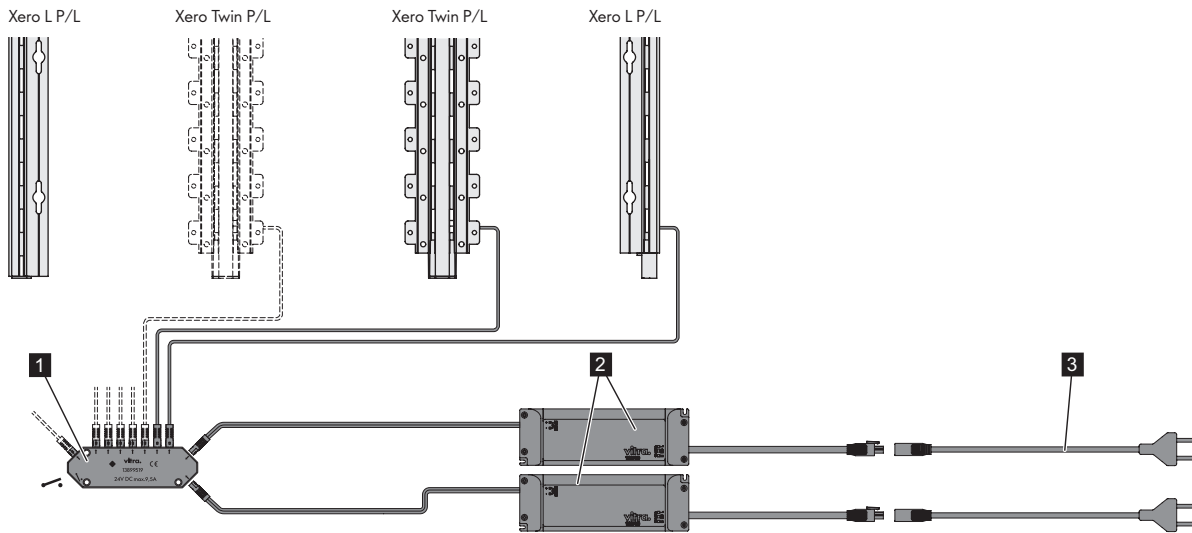
Visplay connection system

⚠ Check the power consumption of electrical appliances! Their maximum power consumption should be 10% below the nominal power of the transformer.

Powering with 75 W transformer

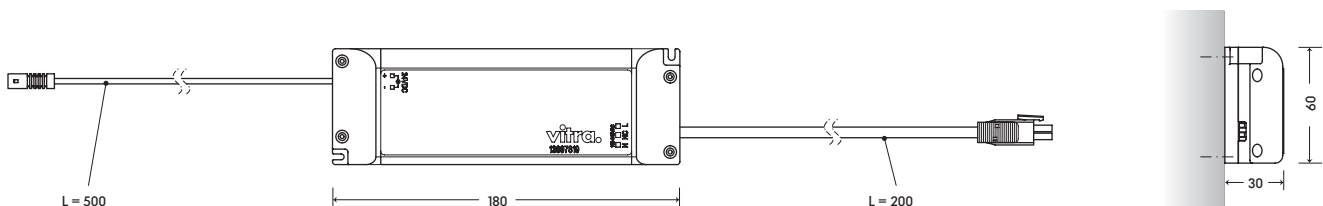


Powering with 150 W transformer



- 1 Visplay 24 V distributor, 8 way
- 2 Visplay LED transformer
- 3 Visplay mains cable 220-240 V

Dimension of 75 W LED transformer

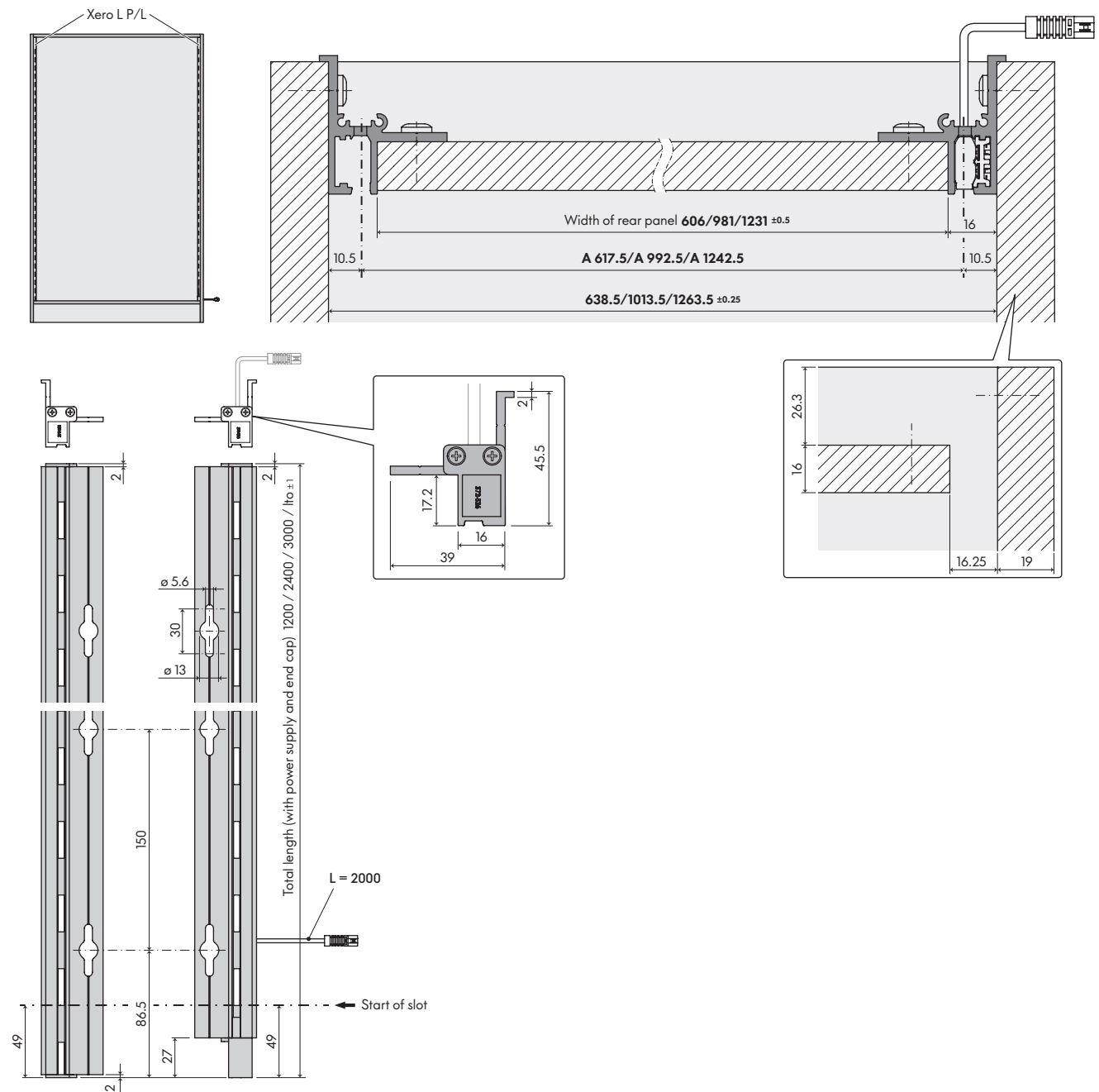


Assembly dimensions / Layout

Xero Twin P/L profiles can be screwed in cabinets or on panels.
The accessories with fixed axis distance from Xero L P/L and Xero Twin P/L can be used.

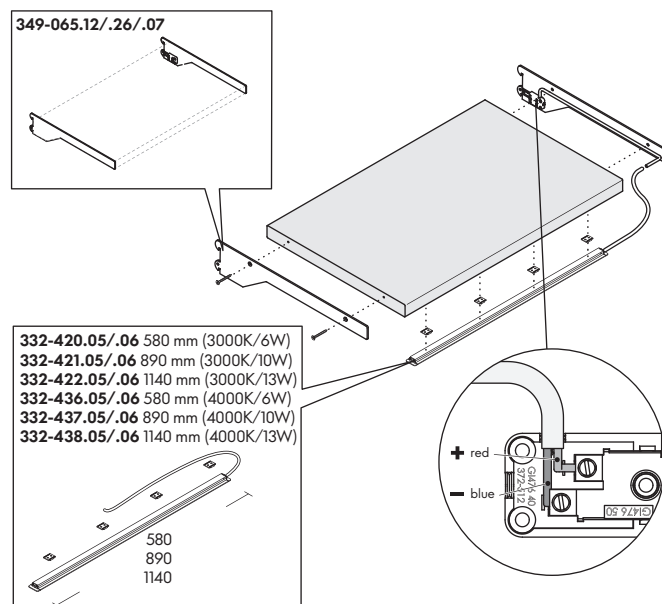
- ⓘ Please observe the indications concerning weight loading and ensure that the substructure of the wall units/furniture and their fixtures can support the expected loads.
With free-standing furniture, ensure that there is sufficient stability even with the intended merchandise supports.
All fastening points are to be used in event of maximum loads!
End caps must be fitted on profile with conductor rail.

Assembly dimensions for 1 axis: Xero L P/L profile set electrified



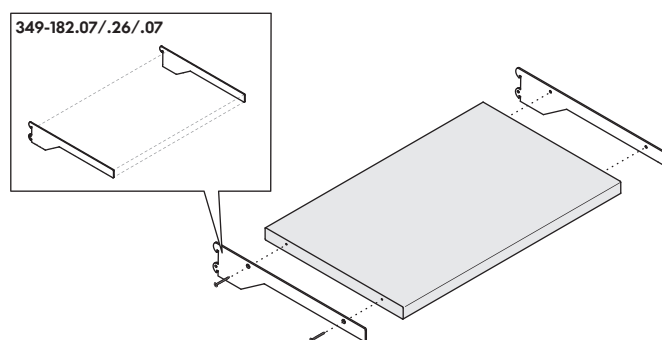
Wooden shelf for brackets with single power adapter

Production drawings of wooden shelves are available for downloading on www.visplay.com or can be received on request. Drawing no. 229-120

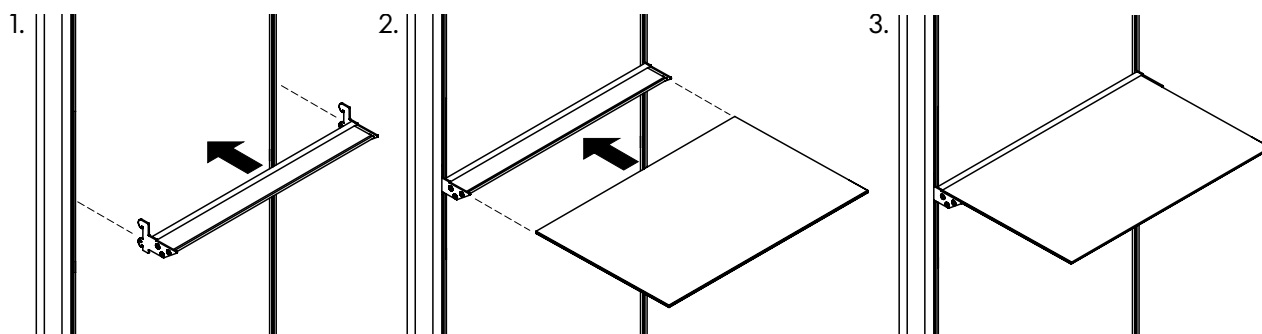


Wooden shelf for brackets

Production drawings of wooden shelves are available for downloading on www.visplay.com or can be received on request. Drawing no. 252-821



Attaching the glass shelf



The merchandise support has a slight slope (approx. 2°)

Weight loads

The indicated weight loads are always based on the total weights of the merchandise support and goods. Please note that max. permissible load decreases as the merchandise support increases in length. Please note that the inclination of the merchandise support changes with an increase in load. Different weights on the merchandise supports result in an uneven overall appearance of the goods display. Please note that the weight limit can be reduced considerably when mounting in glass and sheet metal. The max. permissible load of the Xero L P/L depends on the nature of the wall, the number of fastening points as well as the fastening material used. All fastening points are to be used in event of a maximum weight load. Please also observe the weight loads indicated in our sales documentation.

Max. load

Profile	per 1000 mm	100 kg
Shelf frame with LED lighting for wooden or glass shelf		25 kg
Brackets with/without single power adapter 24 V for wooden shelf		25 kg

